

DESCRIPTION

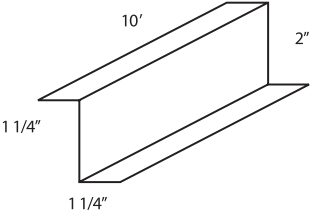
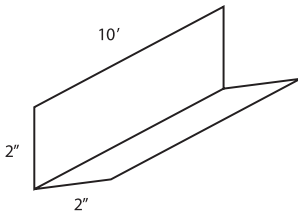
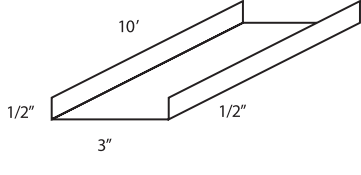
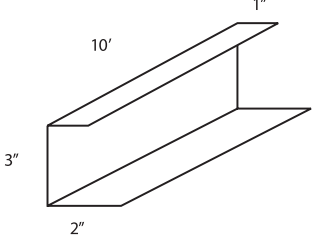
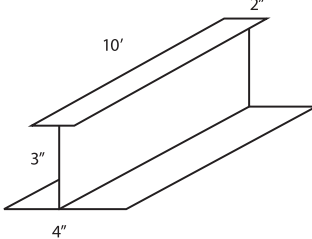
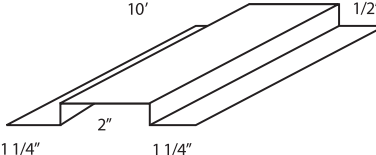
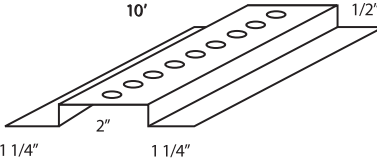
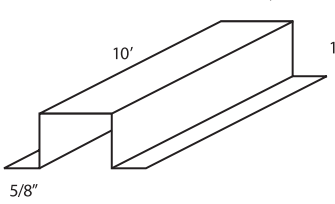
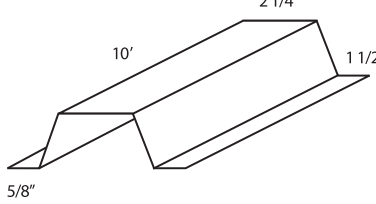
Formed metal shapes used as support members in the erection of profiled lagging for boiler walls, precipitators, ductwork, tanks, towers, stacks and industrial ovens.

MATERIALS

Aluminized Steel, Galvanized Steel, Stainless Steel and Aluminum in specified thicknesses.

Standard lengths are ten feet.



 <p>RPR - Z - SECTION</p>	 <p>RPR - ANGLE SECTION</p>	 <p>RPR - CHANNEL SECTION</p>
 <p>RPR - J - SECTION</p>	 <p>RPR - H - SECTION</p>	 <p>RPR - HAT SECTION</p>
 <p>RPR - HAT SECTION</p>	 <p>RPR - OMEGA SECTION</p>	 <p>RPR - ANGLED HAT SECTION</p>

Note: The illustrations above are general profiles. Inquire on specific profiles and dimensions.